



RESIDUAL CURRENT OPERATED CIRCUIT-BREAKER (RCCB)

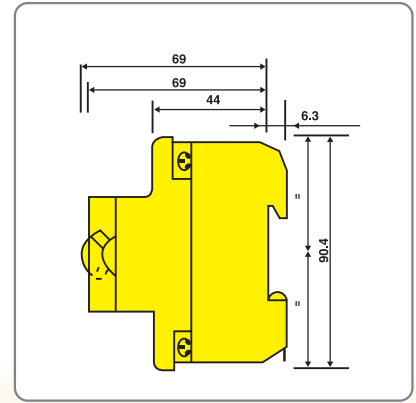
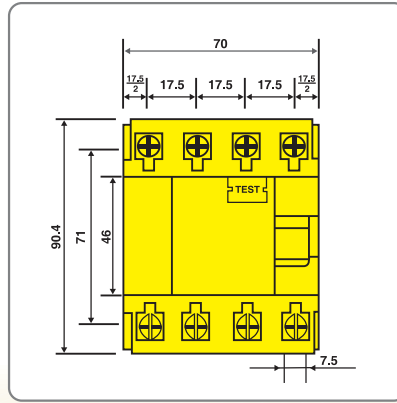
A Complete System in Circuit Protection



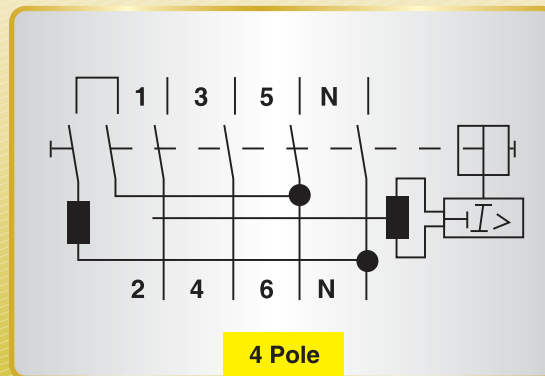
4 POLE

Model / Type Reference	Voltage	Rating (Amp)	Pole	Sensitivity (mA)
NGPL	415V AC	100	4	30
NGPL	415V AC	100	4	100
NGPL	415V AC	100	4	300

DIMENSIONS



CIRCUIT DIAGRAM



TECHNICAL DATA & SPECIFICATION

Rated Current (I_n)	100A
Fault Current Sensitivity ($I_{\Delta n}$)	30 ~ 300mA
Rated Non-operating Current for earth leakage ($I_{\Delta no}$)	$0.51 I_{\Delta n}$
Normal Voltage (U_n)	415V AC
Number of Poles	4-pole
Tripping Time	$1 \times I_{\Delta n} : t < 0.2s$ $5 \times I_{\Delta n} : t < 0.04s$
Frequency	50 / 60Hz (other frequencies on request)

Dealer:

UTAMA

SWITCHGEAR SDN BHD

UTAMA SWITCHGEAR SDN BHD (416650-H)

No. 3, Jalan USJ 19/4A, UEP Subang Jaya,
47630 Petaling Jaya, Selangor Darul Ehsan, Malaysia.

Tel 603-8024 1215 / 1216 Fax 603-8024 1796

Email utamasb@unifi.my