



# FUSE-SWITCH DISCONNECTOR

A Complete System in Circuit Protection



# FUSE-SWITCH DISCONNECTOR

## Product Features

- Modular Range suitable for Din-Rail Mounting.
- Designed to suit DO2 Fuses for protection against overcurrent & short circuit current up to 50KA
- Available in 1 pole, 1 pole+N, 3 pole & 3 pole+N at 240V/415V AC
- Recommended for use as main Incomer or as Back-up Fuses to other Electrical Devices.
- Capable of on Load Switching with Inter Locking Mechanism.
- Type tested by Intertek SEMKO AB (Sweden) in compliance to IEC 60947-3.



1 Pole

Model / Type Ref	AMP Rating	No. of Poles
SFU - 63	32A	1 Pole
SFU - 63	63A	1 Pole



1 P+N

Model / Type Ref	AMP Rating	No. of Poles
SFU - 63	32A	1 Pole + N
SFU - 63	63A	1 Pole + N



3 Pole

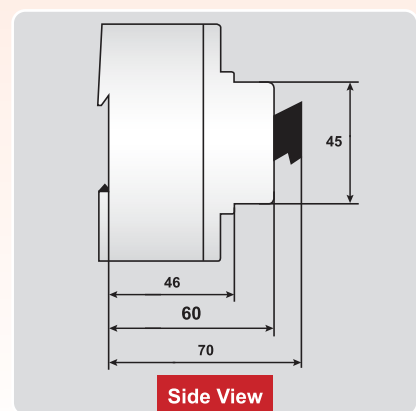
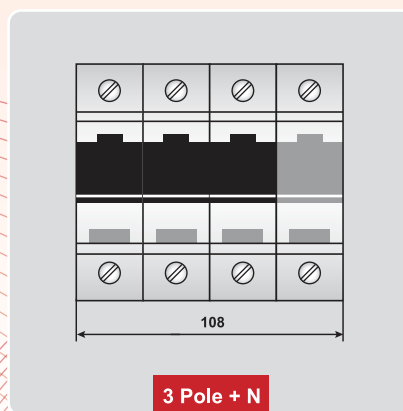
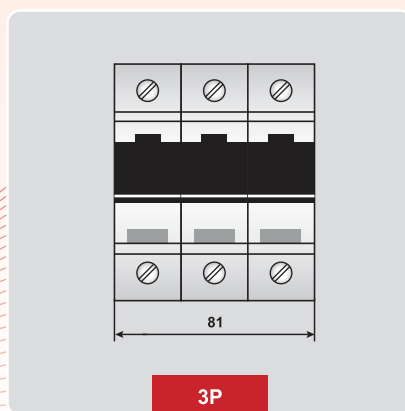
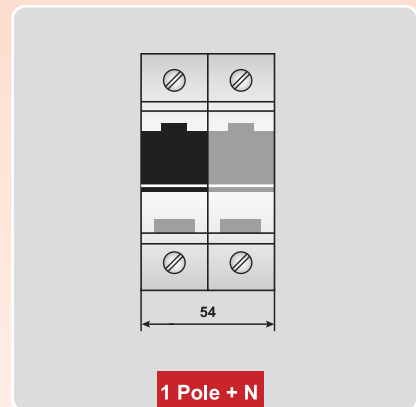
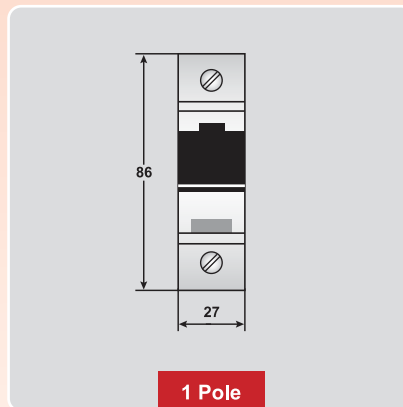
Model / Type Ref	AMP Rating	No. of Poles
SFU - 63	32A	3 Pole
SFU - 63	63A	3 Pole



3P+N

Model / Type Ref	AMP Rating	No. of Poles
SFU - 63	32A	3 Pole + N
SFU - 63	63A	3 Pole + N

# DIMENSIONS



# TECHNICAL DATA

	1 Pole (1.5 module)
<b>Pole / Module</b>	1 Pole + Neutral (3.0 module)
	3 Pole (4.5 module)
<b>Rated Voltage</b>	240 / 415V AC
<b>Fuse Link Type</b>	Neozed DO2
<b>Standard</b>	Type tested by Intertek SEMKO AB (Sweden) in compliance to IEC 60947-3
<b>Mounting</b>	Din-Rail Type
<b>KA Rating</b>	50 KA
<b>Connection Capacity</b>	up to 25mm <sup>2</sup>
<b>Rated Current</b>	Up to 63 Amp

Intertek

# Certificate

 for European Product Safety

Reference No. 416394

## Fuse-switch disconnecter

Type designation: SF10-43

Certificate holder: Utama Switchgear SDN BHD,  
No. 3, Jalan USJ 19/4A,  
Uep Subang Jaya,  
47630 Petaling Jaya,  
Selangor Darul Ehsan,  
MALAYSIA

The product complies with the standard(s): EN 60647-3:1999+A1+A2

Date of expiry: 13 December 2013

EU Directive information: The product satisfies the provisions for CE marking according to the Low Voltage Directive 2006/95/EC.

### Additional information in Appendix

Certification Body: Intertek Sertika AS, Product Certification, Place: Kuala Lumpur  
Signed:  Aisy Hassan, Date: 13 December 2008, Page 1 of 2

This certificate is issued in accordance with the terms and conditions set out in the Appendix.

IEC	TECEE OF SCHNEIDER	Ref. Certif. No. <b>SE-56607</b>
IEC SYSTEM FOR MUTUAL RECOGNITION OF TEST CERTIFICATES FOR ELECTRICAL EQUIPMENT (IECEE CB SCHEME)		SYSTEME DE RECONNAISSANCE MUTUELLE DE CERTIFICATS POUR LES EQUIPEMENTS ELECTRIQUES (IECEE METHODE OC)
<b>CB TEST CERTIFICATE</b> / <b>CERTIFICAT D'ESSAI OC</b>		
Product: Produit:	Fuse-switch disconnecter	
Name and address of the applicant Nom et adresse du demandeur:	Utama Switchgear SDN BHD, No. 3, Jalan USJ 19/4A, Uep Subang Jaya, 47630 Petaling Jaya, Selangor Darul Ehsan, MALAYSIA	
Name and address of the manufacturer Nom et adresse du fabricant:	Hindustan High Voltage Equipment Co., Ltd., Huge Industry Building, Lingay Rd, Larkin, Taiping, Perang, Kedah, MALAYSIA	
Name and address of the factory Nom et adresse de l'usine:	Same as manufacturer	
Range and principal characteristics Valeurs nominales et caractéristiques principales:	10A, 20A, 30A, 40A, 50A, 63A, 80A, 100A I <sub>n</sub> 10, 20, 30, 40, 50, 63, 80, 100A Rated conditional short-circuit current 50kA	
Trademark (if any) Marque (le cas échéant):		
Model / Type Ref. Ref. du type:	SF10-43	
Address (if different from manufacturer) Lieu (si différent du fabricant):	IEC 60647-3:1999+A1+A2	
A sample of the product was tested and found to be in conformity with: Un échantillon du produit a été testé et le résultat a été conforme à:	IEC 60647-3:1999+A1+A2	
An error in the Test Report Ref. No. which forms part of this Certificate Une erreur dans le Rapport d'essai, numéro de référence, qui constitue partie de ce Certificat	416394-1, -2, -3, -4	
This CB Test Certificate is issued by the National Certification Body Ce Certificat d'essai OC est émis par l'Organisation Nationale de Certification		
Intertek Sertika AS Bldg 1123 100-104 St. Peter's, Subang Tel: +603 750 00 00	Intertek ETL SEMKO Signature: 	
Date: 13 December 2008		
Manufactured in: BRL	UT	RRL/UC

Dealer:

# UTAMA

**SWITCHGEAR SDN BHD**

UTAMA SWITCHGEAR SDN BHD (416650-H)  
No. 3, Jalan USJ 19/4A, UEP Subang Jaya,  
47630 Petaling Jaya, Selangor Darul Ehsan, Malaysia.  
Tel 603-8024 1215 / 1216 Fax 603-8024 1796  
Email utamasb@unifi.my