



CIRCUIT ISOLATING DEVICE

Din-Rail Isolator

A COMPLETE SYSTEM IN CIRCUIT PROTECTION



CIRCUIT ISOLATING DEVICE

Din-Rail Isolator

Product Features

- Modular Range suitable for Din-Rail Mounting.
- Available in 2 pole, 3 pole & 4 pole up to 100Amp Rating at 240 / 415V AC.
- Recommended for use as main Incomer or as Isolating Device for Air-Cond, Motor, Pumps & etc.
- Capable of on Load Switching.



Catalog No	AMP Rating	No. of Poles
ISO 322	32A	2 Pole
ISO 402	40A	2 Pole
ISO 632	63A	2 Pole



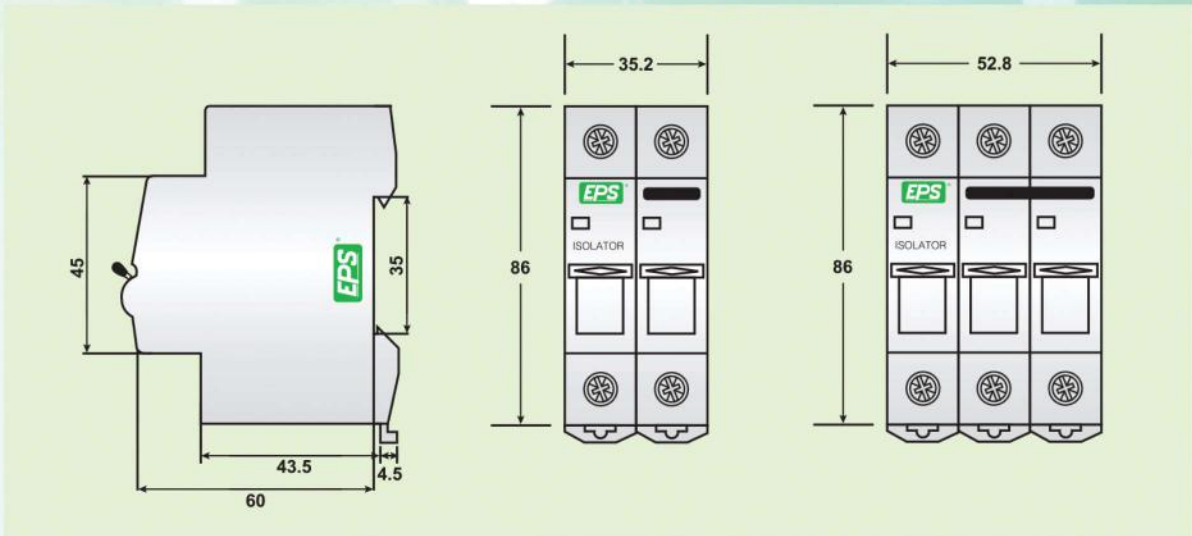
Catalog No	AMP Rating	No. of Poles
ISO 323	32A	3 Pole
ISO 403	40A	3 Pole
ISO 633	63A	3 Pole



Catalog No	AMP Rating	No. of Poles
EIS 1002*	100A	2 Pole
EIS 1003	100A	3 Pole
EIS 1004*	100A	4 Pole

* Non-Standard Items

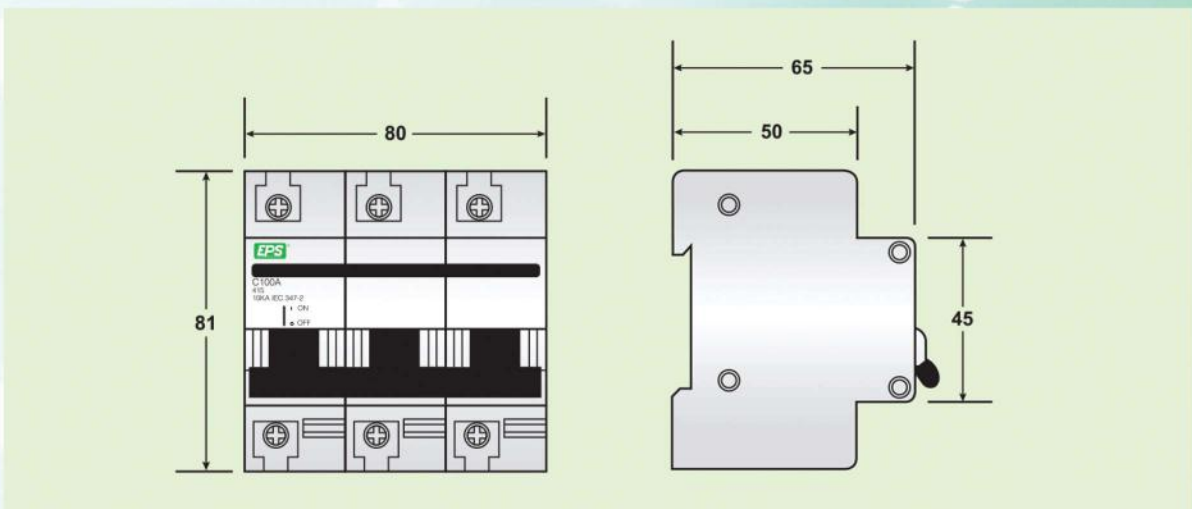
Dimensions :



Side View

2 pole

3 pole



100A 3 pole

Side View

Technical Data :

No. of Pole	2, 3, 4
Rated Voltage	240 / 415V AC
Category	Continuos duty
Standard	Compliance to IEC 60947-3 MS 590 (BS 5419)
Mounting	Din-Rail Type
Frequency	50Hz, AC
Connection	Top & Bottom Biconnect system to use either wire; fork type or comb-busbar
Terminal Cross Section	25mm ² box type terminal
Rated Current	Up to 100Amp

Dealer :



UTAMA SWITCHGEAR SDN BHD^{416650-H}
No.3, Jalan USJ 19/4A, UEP Subang Jaya,
47630 Petaling Jaya, Selangor Darul Ehsan, Malaysia.
T : +603 8024 1215 / 1216 F : +603 8024 5249
www.ussbeps.com utamasb@ussbeps.com